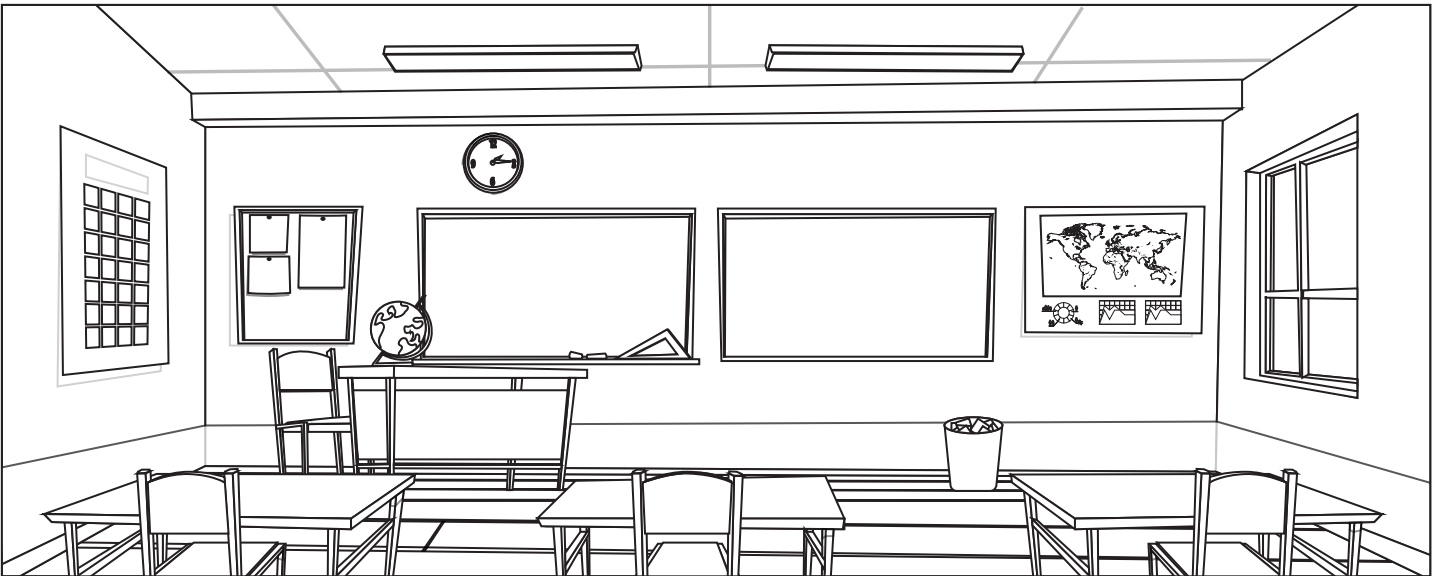


# SCHOOL - SCUOLA



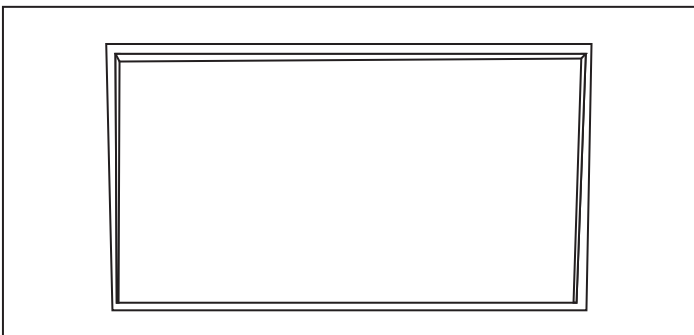
SCHOOL

---

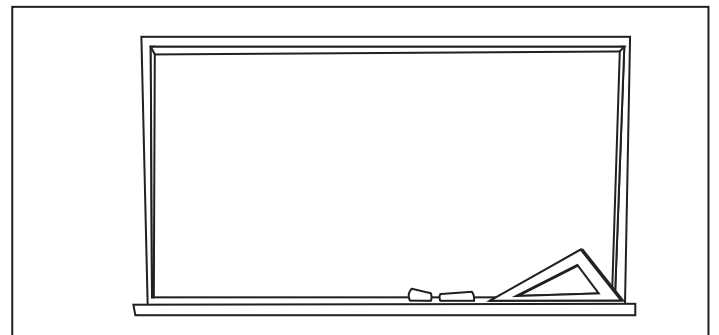


CLASSROOM

---



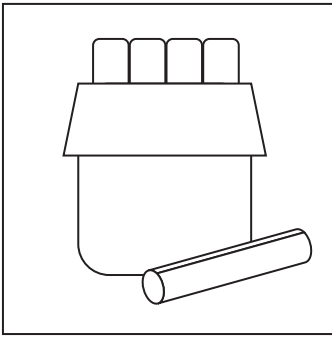
IWB, INTERACTIVE  
WHITE BOARD



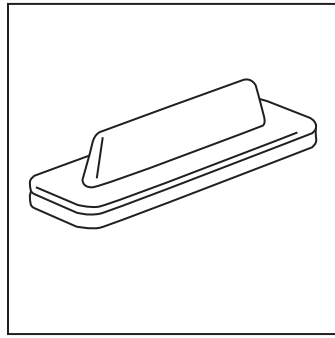
BLACKBOARD

---

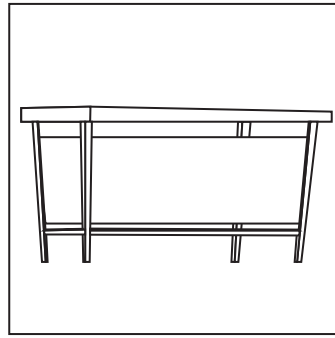
# SCHOOL - SCUOLA



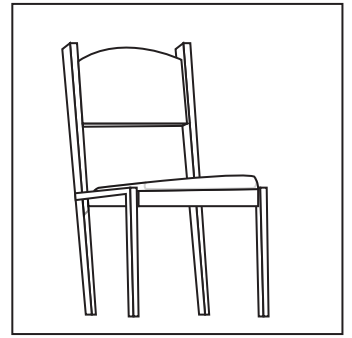
CHALK



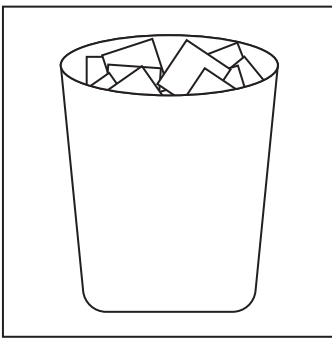
DUSTER



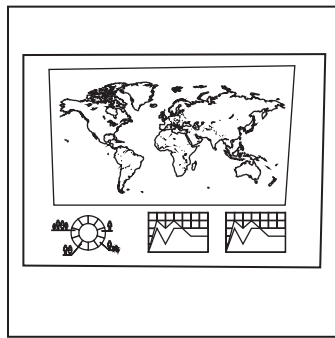
TEACHER'S  
DESK



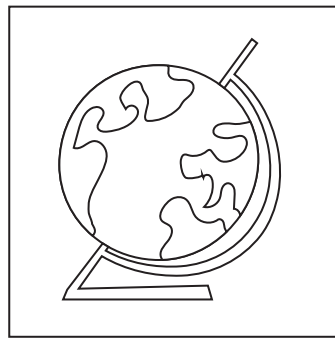
CHAIR



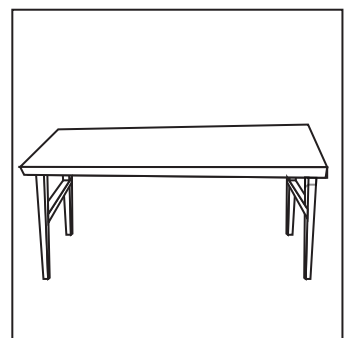
WASTEPAPER  
BASKET



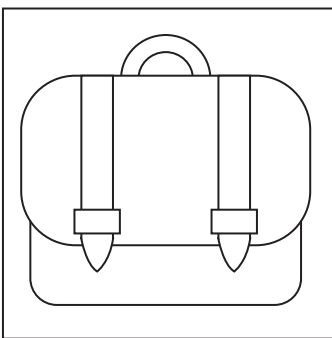
MAP



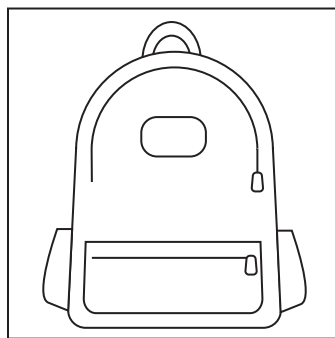
GLOBE



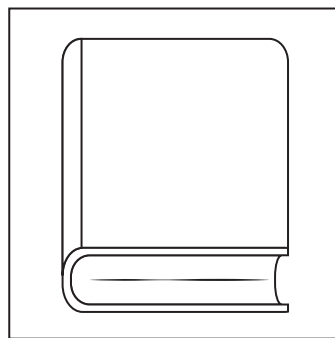
DESK



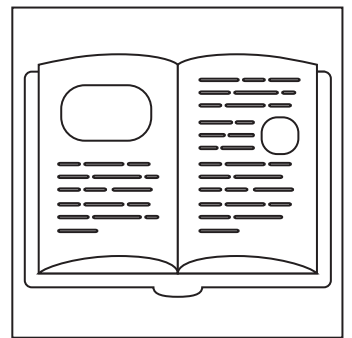
SCHOOLBAG



RUCKSACK

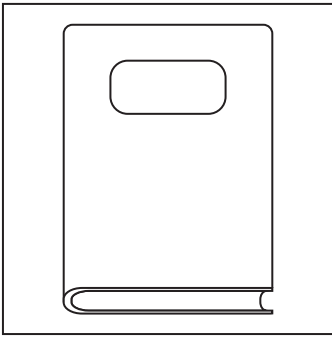


BOOK

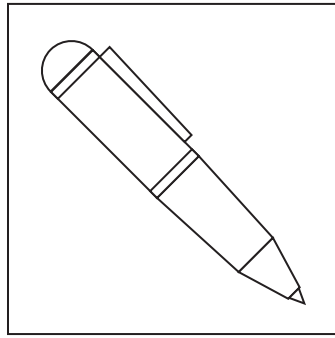


TEXT BOOK

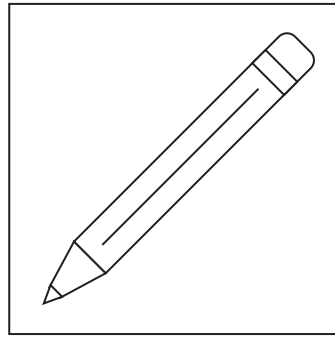
# SCHOOL - SCUOLA



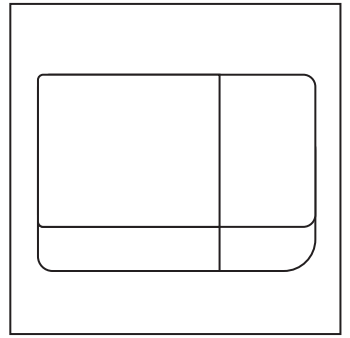
EXERCISE  
BOOK



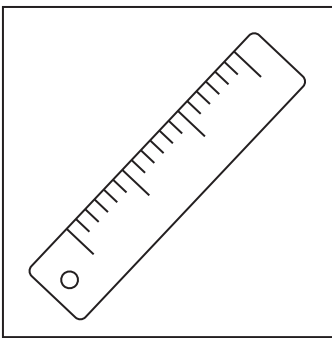
PEN



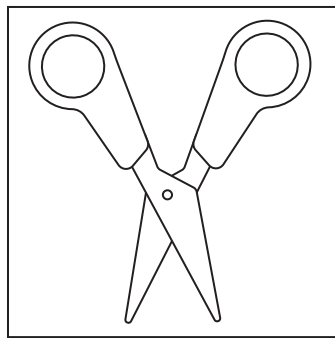
PENCIL



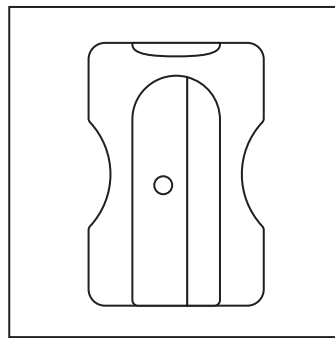
RUBBER



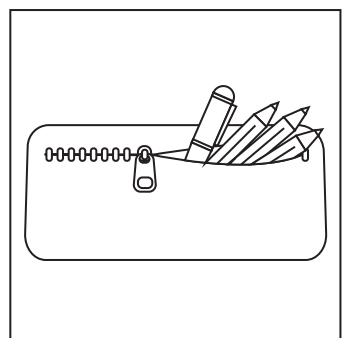
RULER



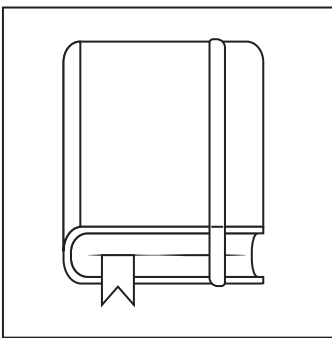
SCISSORS



SHARPENER



PENCIL  
CASE



DIARY

